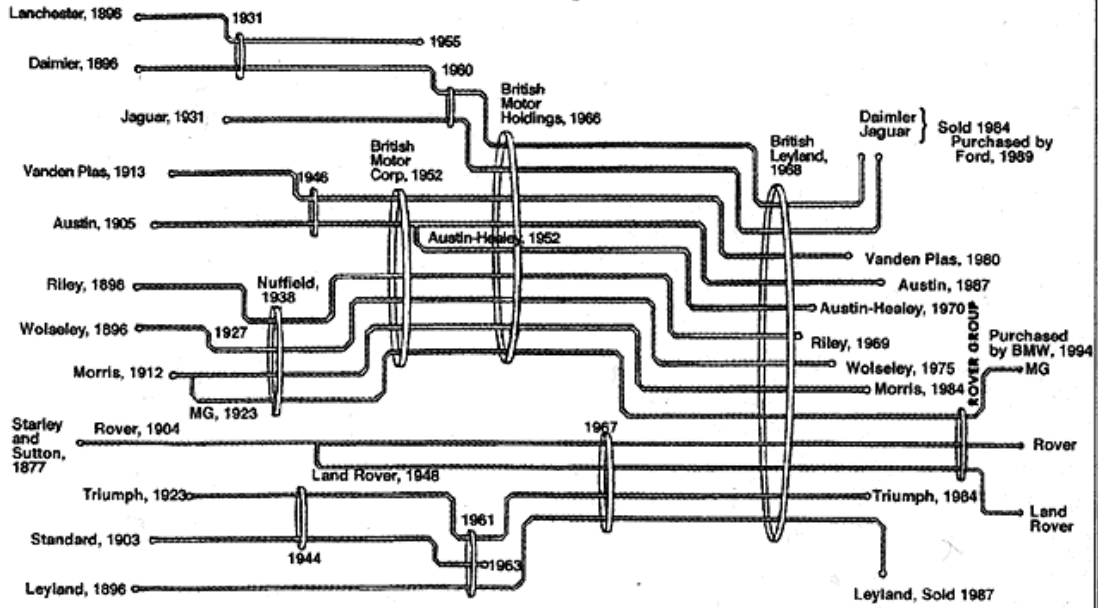


The British Car Family Tree



From the MG 'A' Announcer, March 1994